



Ifö Sign floor standing WC with built-in S-trap 6860

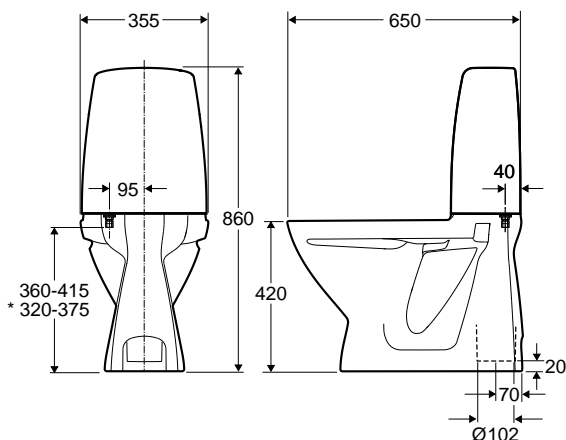
Floor standing WC with one-piece, seamless cistern lid for ease of cleaning and Fresh WC (hygienic dosing solution in the flush button) as standard. Built-in S-trap. Height without seat and cover, 42 cm. Double flush 4/2 l low water consumption. Chromed flush button. Also available as a version without screw holes, which is mounted using industrial grade silicone instead of screws.

The delivery includes:

- Mounting kit Ifö no Z98380:
- 4 stainless steel screws
- Cover plate at rear of bowl
- Operating and maintenance instructions
- Cover caps for screw and for gluing



Product	Ifö no.	EAN no.
White, 4/2 litres	686000001	7391515101645
White without screw holes, 4/2 litres.	68600000100010	7391515101652
White without screw holes, 6/3 litres	68600000200010	7391515101683



* With shut-off valve. Seat bolt hole c/c 155.

6860, Standard model with built-in S-trap

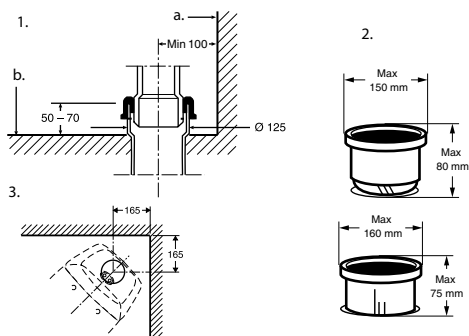
Type-approved dual flush. Large flush adjustable between 3,5 and 8 litres, small flush between 2 and 4 litres. Flush volume preset at the factory to 4/2 alt. 6/3 litres. Dimensional tolerance +/-2%

Accessories:

- Fresh WC sticks Ocean Ifö nr:94696
- Fresh WC sticks Lime Ifö nr:94697

Fits

Ifö Support toilet armsupport 98126 together with Ifö Sign hard seats.



1. Mounting distances to floor. a. Finished wall b. Finished floor
2. Refurbishment assembling
3. Corner installation