

Service life of the cartridges is calculated starting from the day they are purchased at the retail.

The purchase date of the water filter (with the replacement filter cartridges) is the date of the retailer's stamp in this product certificate or date of the sales receipt. If the purchase date is not available, the service life is calculated from the replacement filter cartridges manufacturing date.

Store at temperatures from +5 °C to +38 °C in a closed packaging.

Warranty period of the water filter operation (excluding the replacement filter cartridges) is 2 years from the purchase date. The manufacturer shall bear no warranty if this product certificate containing dates of manufacturing and/or sale is lost and there

are no other ways to determine the period of the product operation.

**The manufacturer shall bear no responsibility in any of the following cases:**

- the customer does not follow installation instructions described herein;
- replacement filter cartridges are not replaced in due course after their service life has expired;
- the water filter is used beyond the limits set by the technical specifications (in the Manual).

Please contact the retailer or the manufacturer in case of any claims to operation of the water filter. No claims are accepted if the water filter has any visible external defects.

## AQUAPHOR®

Manufacturer: Aquaphor International OÜ,  
L. Tolstoi 2A, Sillamäe, Estonia, 40231.  
www.aquaphor.com

Certified title:

Water purifier Aquaphor model Solo Pro;  
Water purifier Aquaphor model Solo HF Pro.  
The manufacturer reserves the right to make improvements in the water purifier design without depicting them in the product certificate.

The model number, manufacturing and quality control date are indicated on the special sticker with the product serial number.



Date of purchase / Retailer's stamp:

**1** Aquaphor Solo Pro

**2** Aquaphor Solo HF Pro

# AQUAPHOR®

water filters

## AQUAPHOR Solo PRO, Solo HF Pro Manual

The Aquaphor Solo Pro is an advanced single-stage water filter designed for efficient drinking water purification. Its replacement filter cartridge utilizes cutting-edge carbon block technology, incorporating a filter matrix made of coconut-based granulated activated carbon (GAC) and AQUALEN™ ion-exchange fiber.

The water filter is specifically designed to treat chlorine, heavy metals, and organic impurities, ensuring the removal of harmful contaminants for cleaner and safer drinking water.

The Aquaphor Solo HF PRO filter contains a hollow-fiber membrane that removes particles larger than 0.1 microns, such as microorganisms and bacteria\*.

### Easy cartridge replacement

Instant replacement of cartridges.  
Clean and safe maintenance.

### Performance data:

Residual active chlorine	100%
Benzene	95%
Phenol	98%
Pesticides	97%
Heavy metals, (lead, cadmium)	95%

### Technical characteristics

Model	Aquaphor Solo Pro	Aquaphor Solo HF Pro
Recommended use	Filtering drinking water	Filtering and conditioning drinking water using hollow fiber membrane, removal of micro-particles smaller than 0.1 microns
Replacement cartridge	Pro 2	Pro HF
Overall dimensions, no more than	<b>Diameter:</b> 90 mm <b>Height:</b> 341 mm	<b>Diameter:</b> 90 mm <b>Height:</b> 341 mm
Maximum working water pressure	0.63 MPa (6.3 bar / 91 psi)	0.63 MPa (6.3 bar / 91 psi)
Water temperature	+5...+38 °C	+5...+38 °C
Resource replacement cartridge*	4000 liters, but not more than 1 year	3000 liters, but not more than 1 year
Recommended filtration rate (performance)	1.5 l/min	1.5 l/min
Weight, not more	1.2 kg	1.2 kg

### DELIVERY SET

Housing (1)	1 pc.	O-ring (4)	1 pc.
Replacement filter cartridge (2)	1 pc.	Connection tube (5, 6)	2 pcs.
Connection unit (3)	1 pc.	Operation manual	1 pc.
		Packaging	1 pc.

\* Tested on Escherichia coli 1257, Enterobacter cloacae, Pseudomonas aeruginosa, Lamblia intestinalis.

## INSTALLATION GUIDE

**ATTENTION!** Only install your filter by a qualified plumber who is certified to perform the installation in accordance with the law of your country.

**ATTENTION!** Measure the water pressure before installation of the filter. If it exceeds **0.63 MPa (6.3 bar / 91 psi)**, install a pressure reducing valve (not included in the water filter set).

### Water filter installation

1. Select appropriate location for the clean water faucet (not included in the delivery set), water filter (1) and location for the connection unit (3) to the water supply (fig. 1). Note that the connecting tubes should be loose and not bent.

It is recommended to fixate the slack sections of the tubes in such a way as to avoid damaging or connection errors that may reduce the flow rate.

The water filter must be placed at a distance or isolated from any heat sources (kitchen

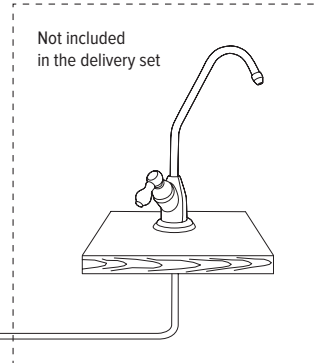
ovens, boilers, hot water supply pipes, dishwashers or washing machines, etc.).

**ATTENTION!** The end of the pipeline where the connection is done must be flat.

To prevent damage to the connection unit (3), do not apply significant force during installation.

No reclamations shall be accepted if mechanical damage is done to the connection unit (3) during inappropriate installation.

3. Close the cold water supply and discharge pressure by opening the tap.
4. Install the connection unit (3) between the cold water supply and the flexible tube (5).



**ATTENTION!** Wetted tubes are inserted to a stop, minimum depth of 15 mm. Make sure that the tube is properly fixed, it must be secured, it should hold applied force of **80–90 N**.

5. Install the clean water tap (not included in the delivery set) according to the instructions for the tap.
6. Connect the tap with the end of the tube (6) according to the instructions for the tap.

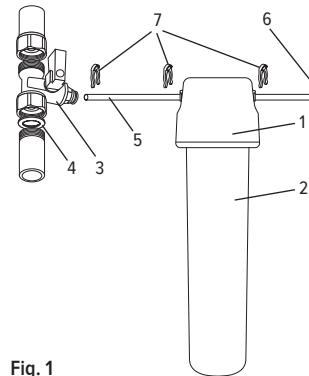


Fig. 1

7. Place the water filter on the wall.
8. After installing the new filter cartridge, flush the water filter in accordance with the section "Flushing the filter".

### Cartridge installation

- Remove protecting film from the new cartridge.
- Insert the cartridge into the housing to a stop; rotate the cartridge counter clockwise to a click (fig. 3).

**ATTENTION!** Under-twisting the cartridge to the final position (accompanied by a click) can cause leaks.

### FLUSHING THE FILTER

- Open the cold water supply, make sure the water filter is not leaking.
- Let the water flow through the water filter for 5 minutes.
- Close the clean water tap and leave the water filter for 5 minutes.
- Run the water through the water filter again for 5 minutes.
- Close the clean water tap and make sure that all connections are properly sealed.
- The water filter is ready for use.

### Cartridge replacement

- Close water before the water filter and open the clean water tap to discharge pressure.
- Rotate the used cartridge in a counter-clockwise direction to remove it (fig. 2).
- Install the new cartridge as described in the section "Cartridge installation".
- Open the cold water supply, make sure the water filter is not leaking.
- After installing the new cartridge, flush the filter as described in Section "Flushing the filter".

**NOTE:** If the filter wasn't used for more than 7 days, discard the filtered water for 5 minutes.

In case you're not sure about incoming water bacterial safety, you should boil the filtered water. Filtered water isn't supposed to be kept for a long time. Use fresh filtered water only. Do not expose the water filter to freezing temperatures. During storage, transportation and use of the filter protect it from falls. Do not expose the water filter to freezing temperatures.

Recycle according to local regulations.

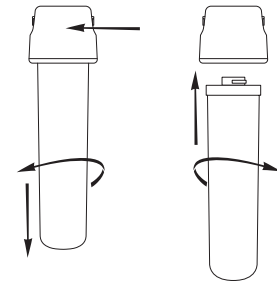


Fig. 2

Fig. 3

### MANUFACTURER'S WARRANTY

Service life of the water filter (excluding replacement filter cartridges) is 5 years\* from manufacturing date\*\*. The water filter shall be replaced upon expiration of the service life.\*\*\*

Service life of the replacement filter cartridges of various filter types: Pro 2 — 4000 liters but not more than 1 year\*\*\*\*, Pro HF — 3000 liters but not more than 1 year\*\*\*\*.

\* Regardless of the operation starting date.

\*\* Manufacturing date is the date in the format DD MM YYYY shown by the manufacturer on the label placed on the back of the housing.

\*\*\* Using the water filter beyond its service life term may result in harm to the health or property of the consumer or third persons and shall be avoided.

\*\*\*\* The resource of the replacement cartridge is set for water filtration that meets the current sanitary standards. The service life of a replacement cartridge may vary depending on the quality of the water (hardness, amount of impurities, etc.).